



communications

Security & Detection Systems

Linescan® 215 Series

The **Linescan 215** is an X-ray security screening system with a tunnel opening of 610 mm (24") wide by 468 mm (18.4") high and excellent imaging performance. All versions of the **Linescan 215** are ideal for the screening of briefcases, handbags, backpacks and small packages. These systems are well suited for embassies, mailrooms, government buildings, courtrooms, correctional facilities and commercial businesses requiring screening of small parcels.

The **Linescan 215** Series Features:

- Our Traditional Linescan 215/III
- Our New Advanced Linescan 215/V

The **Linescan 215/III** is a very cost efficient model. Variable length conveyors, dual monitors and additional options make the **Linescan 215/III** suitable for numerous applications.

The advanced **Linescan 215/V** is a PC based system that incorporates our latest technology with an enhanced modular design. This system allows incorporation of various advanced computer options including Threat Image Projection (TIP), Operator Assist® (OA) and Image Archiving (IA).

All systems within the **Linescan 215** series are dependable, sturdy machines built to suit your security screening requirements.

The **Linescan 215** series are especially well suited for screening carry-on baggage at airports or any-place where floor space may be limited.



Model Linescan 215/V
with 0.1 M Conveyors

Features

Linescan 215/III

- Dual 17" Color Monitor
- 0.1 m Entry/Exit Conveyor
- Infrared Operator Detection Device

Standard Features:

- ◆ Variable Gamma
- ◆ Pseudo Color Imaging
- ◆ Zoom 2X and 4X
- ◆ Edge Trace/Edge Sharpening
- ◆ High Penetration
- ◆ Reverse Monochrome
- ◆ E-scan® Dual Energy Material Discrimination
- ◆ Organic Stripping
- ◆ Inorganic Stripping

Optional Features:

- ◆ 0.5 m Entry/Exit Conveyor
- ◆ 0.5 m Entry/1.0 m Exit Conveyor
- ◆ 0.5 m/1.0 m Entry Tables
- ◆ 0.5 m/1.0 m Entry Roller Tables
- ◆ 0.5 m/1.0 m/2.0 m Exit Tables
- ◆ 0.5 m/1.0 m/2.0 m Exit Roller Tables
- ◆ Voltage Stabilizer
- ◆ Non Skid Belt
- ◆ Remote Controls
- ◆ CE Compliance Kit

Linescan 215/V

- All Standard Features of the Linescan 215/III
- Advanced Computer Options

Optional Applications:

- ◆ Threat Image Projection (TIP)
- ◆ Operator Assist® (OA)
- ◆ Image Archiving (IA)

Linescan[®] 215 Series

Technical Specifications

General

Tunnel Opening:.....610 mm (24") W x 468 mm (18.4") H
Conveyor Height:
Standard:.....635 mm (25")
Optional:.....792 mm (31.2")
Power Requirements:.....115-120 VAC, 60 Hz (15 amp max)
230-240 VAC, 50 Hz (10 amp max)
Conveyor Speed:.....0.23 m per sec (45 feet per min) @60 Hz
0.18 m per sec (36 feet per min) @50 Hz
Conveyor Capacity:.....68 kg (150 lb)

X-ray

Voltage:.....160 kVp constant potential tube
Duty Cycle:.....100%
Cooling:.....sealed oil bath
Beam Orientation:.....vertically upward
X-ray Sensor:.....1152 E-Scan[®] photo diodes in folded array
(L-shaped) configuration

Physical Specifications

Weight (Uncrated):.....approx 591 kg (1300 lb)
Weight (Crated):.....approx 727 kg (1600 lb)
Construction:.....uni-body frame on casters

Environmental

Operating Temperature:.....0°C to 40°C
Storage Temperature:.....-20°C to 50°C
Humidity:.....95% non-condensing
Airborne Noise Level:.....<70dB (A)

Imaging and Performance - Linescan 215/III

Resolution:.....38 AWG guaranteed, 40 AWG typical
Penetration:.....29 mm steel guaranteed, 31 typical
Contrast Sensitivity:.....at least 22 levels visible using a step wedge
Digital Memory:.....1024 x 1024 x 16
Video Display:.....two 17" SVGA high resolution, low radiation,
ergonomic, flicker free displays

Imaging and Performance - Linescan 215/V

Resolution:.....38 AWG guaranteed 40 AWG typical
Penetration:.....29 mm steel guaranteed, 31 mm typical
Contrast Sensitivity:.....at least 24 levels visible using a step wedge
Video Display:.....two 17" SVGA high resolution, low radiation,
ergonomic, flicker free displays

Computer Specifications (Minimum):

Processor:.....Intel Pentium[®] III
System Memory:.....128 MB Ram
Display:.....24 Bit-True Color (16.7 Million Colors)
Hard Disk:.....9 GB High Speed SCSI Disk Storage
Additional Drive:.....internal Zip[™] Drive

Radiation Safety

All Security and Detection Systems' X-ray systems are certified to be in full compliance with all radiation safety requirements and external emissions limits as specified in the United States Code of Federal Regulations, Title 21, Section 1020.40 (21CFR1020.40) that apply to our products. Typical leakage radiation is less than 0.1 mR/hr compared to maximum of 0.5 mR/hr permitted by the Federal Standard.

Operational Standards

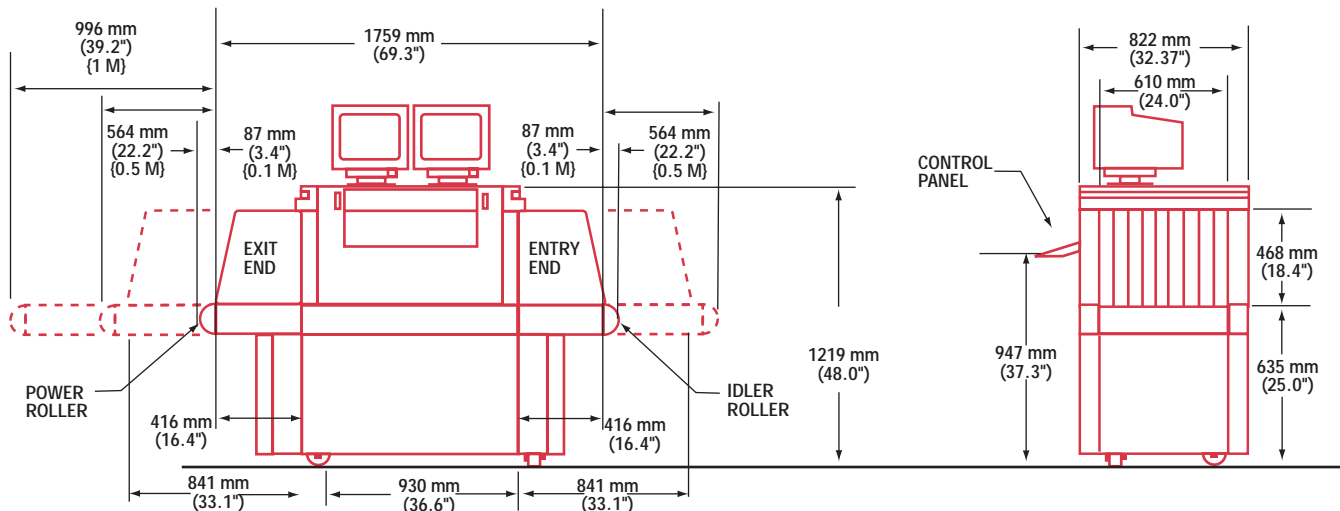
Complies with published International Standards including the U.S. Federal Aviation Administration Standards, "Use of X-Ray Systems" (Federal Standards 14 CFR 108.17 and 14 CFR 129.26).

Film Safety

Guaranteed for high speed films up to ISO 1600.

Design Policy

Security and Detection Systems reserves the right to change specifications in the course of continuous improvement. Specifications are provided for reference only and actual equipment may differ slightly from the description given. Typical dimensions are within ± 5% of nominal values.



communications

Security & Detection Systems

L-3 Communications Security and Detection Systems

In the USA • 10 Commerce Way, Woburn, MA 01801, Tel: 1.781.938.7800, 1.888.848.4319, Fax: 1.781.939.3993

In the UK • Unit 2, Brants Bridge, Bracknell, Berkshire, RG12 9HW, England, Tel: 44.1344.477900, Fax: 44.1344.477901

In Asia • 16-18 Kingsley Close, Rowville, Melbourne VIC 3178, Australia, Tel: 61.3.9212.8500, Fax: 61.3.9212.8595

www.l-3com.com

Rev 7/02-5K