

Sabre Extensibles

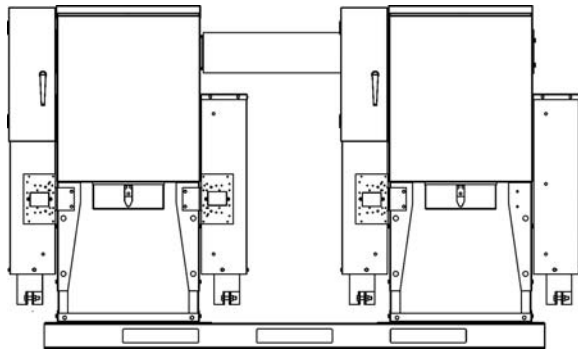
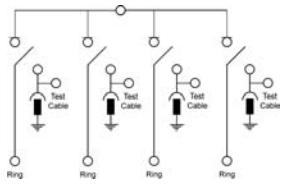


ENGINEERING BRILLIANT SOLUTIONS

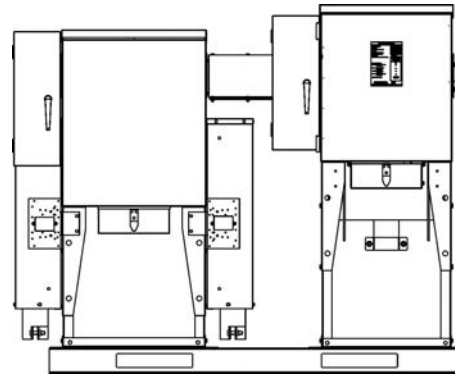
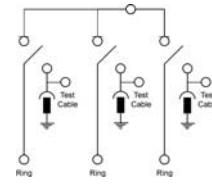
Sabre Range

	VRE2a	VRE6a	VCE2a	VCE6a	SSE6a
Rated Voltage	12kV (15.5kV)	12kV (15.5kV)	12kV (15.5kV)	12kV (15.5kV)	12kV (15.5kV)
Impulse Withstand Voltage (kV Peak)	75kV (95kV)	75kV (95kV)	75kV (95kV)	75kV (95kV)	75kV (95kV)
Normal Current					
Ring Switches	630A	630A	n/a	n/a	630A
Circuit Breaker	250A	630A	250A	630A	n/a
Busbar	630A	630A	630A	630A	630A
Short Circuit Peak Making Current					
Ring Switches	50kA	50kA	n/a	n/a	50kA
Tee-off Circuit Breaker	50kA	50kA	50kA	50kA	n/a
Short Circuit Breaking Current					
Tee-off Circuit Breaker	20kA RMS	20kA RMS	20kA RMS	20kA RMS	n/a
3 Second Short Time Current					
Ring Switches	20kA	20kA	n/a	n/a	20kA
Tee-off Circuit Breaker	20kA	20kA	20kA	20kA	n/a
Earth Switch Peak Making Current					
Ring Switches	50kA	50kA	n/a	n/a	50kA
Tee-off Circuit Breaker	7.9kA	50kA	7.9kA	50kA	n/a
Internal Arc Rating					
Freestanding	20kA 1 sec	20kA 1 sec	20kA 1 sec	20kA 1 sec	20kA 1 sec
Transformer Mounted	n/a	n/a	20kA 1 sec in ENA Housing	n/a	n/a
Gas Pressure					
MOP	zero bar (G)	zero bar (G)	zero bar (G)	zero bar (G)	zero bar (G)
IP Rating					
Up to IP54W	Up to IP54W	Up to IP54W	Up to IP54W	Up to IP54W	Up to IP54W
Dimensions					
Height (mm)	1715	1715	1715	1715	1360
Width (mm)	950	950	565 + busbar	565 + busbar	515 + busbar
Depth (mm)	1080	1080	1080	1080	1065
Weight (kg)	375	385	290	300	230
Weight of SF6 (kg)	1.78	1.91	1.05	1.05	0.78
Protection					
TLF – Time Limit Fuse	•	•	•		
Auxiliary Powered Relay	•	•	•	•	
Self Powered Relay	•	•	•	•	
Testing Standards Applicable					
IEC 62271-103	•	•	•	•	•
IEC 62271-100	•	•	•	•	•
IEC 62271-102	•	•	•	•	•
IEC 60056	•	•	•	•	•
IEC 60265-1	•	•	•	•	•
IEC 60129	•	•	•	•	•
IEC 60694	•	•	•	•	•
IEC 60298	•	•	•	•	•
ENA TS 41-36	•	•	•	•	•
IEC 62271-200	•	•	•	•	•

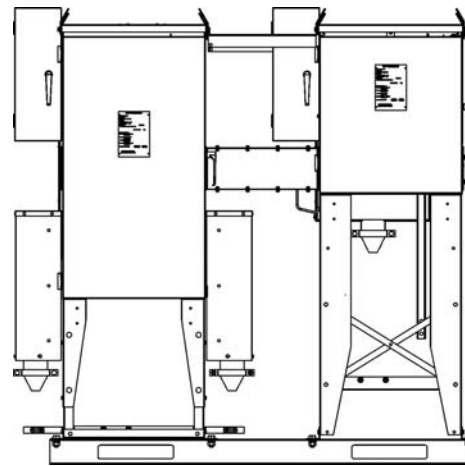
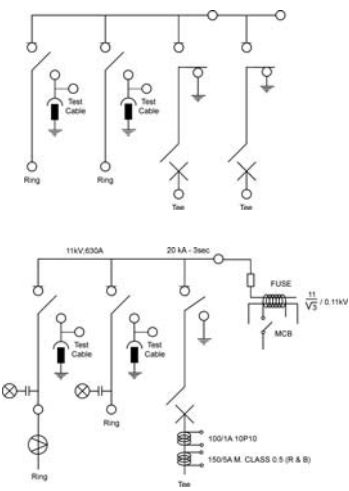




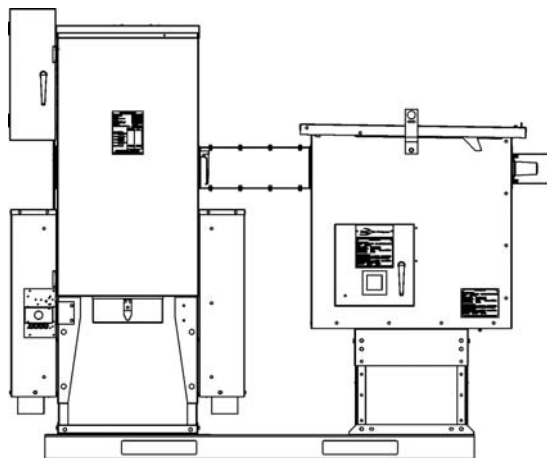
DSEa - DSEa Combo Unit



DSEa - SSEa Combo Unit



VREa - VCEa Combo Unit



VRE2a - AMU Combo Unit

Lucy Switchgear

Howland Road, Thame, Oxfordshire, OX9 3UJ, UK
 tel: +44 (0)1844 267267 fax: +44 (0)1844 267223
 email: sales@lucyswitchgear.com

Lucy Middle East

PO Box 17335, Jebel Ali, Dubai, United Arab Emirates
 tel: +9714 812 9999 fax: +9714 812 9900
 email: sales@lucyme.ae

The Saudi Lucy Company Ltd

PO Box 834, Al-Khobar, 31952, Saudi Arabia
 tel: +966 3 8823057 fax: +966 3 8822553
 email: info@saudilucy.com

www.lucyswitchgear.com