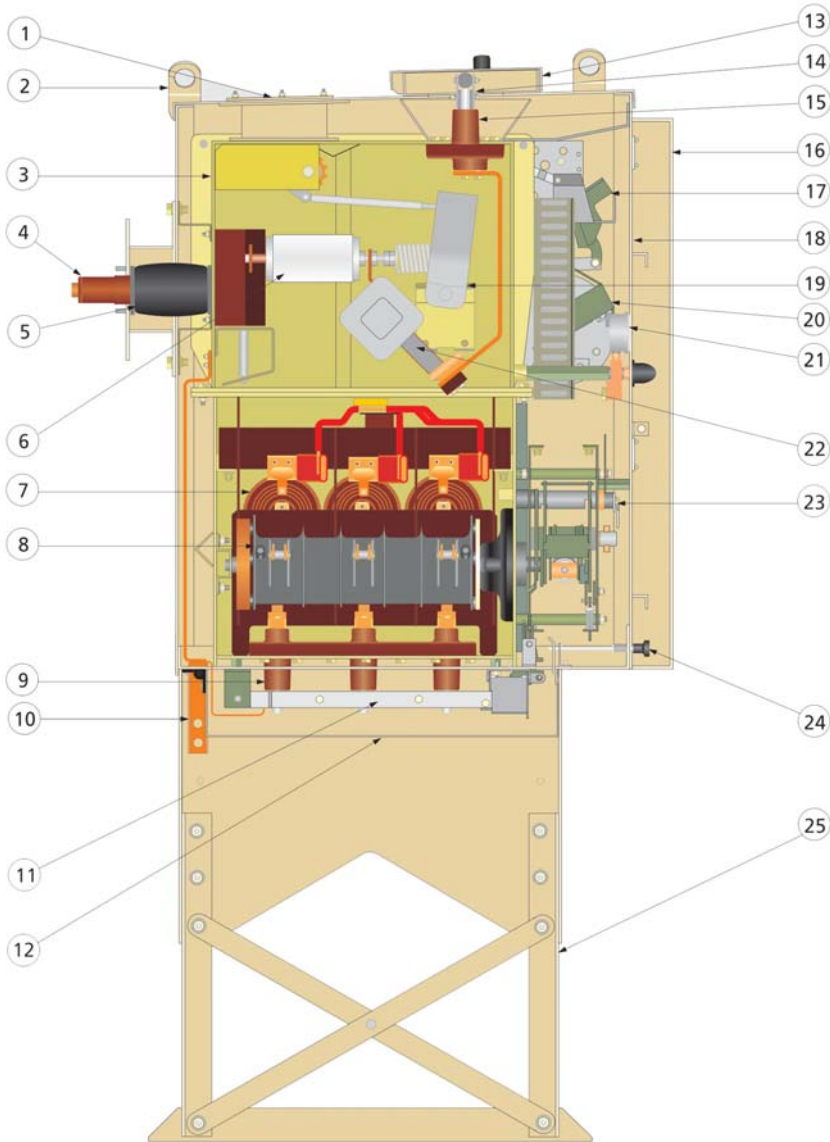


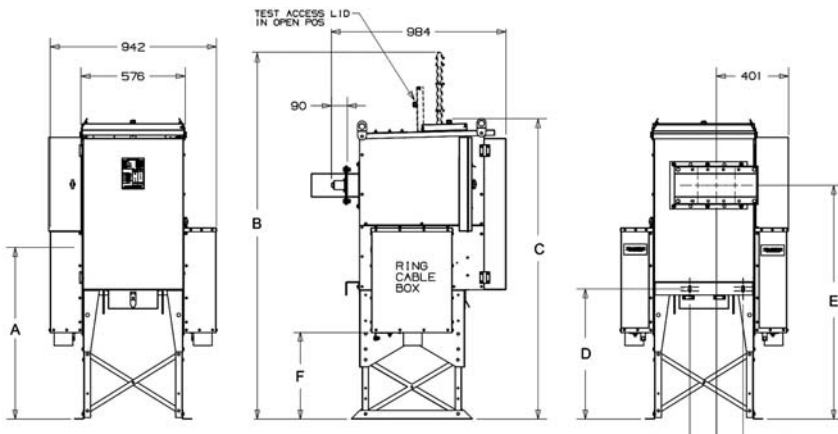
SABRE VRN6a Sectionaliser RMU

Automated distribution solutions - towards smarter electrical networks





- 1 Internal arc vent
- 2 Lifting lugs
- 3 Stainless steel enclosure
- 4 Tee-off cable terminations
- 5 Protection CT's
- 6 Circuit breaker vacuum interrupters
- 7 Ring switch cable termination
- 8 Three-position ring switch
- 9 Ring cable test terminals
- 10 Primary earth point
- 11 Removable and fully interlocked ring switch star point earth bar
- 12 Ring switch test access cover
- 13 Circuit breaker cable test access cover
- 14 Removable and fully interlocked circuit breaker star point earth
- 15 Circuit breaker cable test termination
- 16 Main access door
- 17 Circuit breaker operation
- 18 Fascia and mimic
- 19 Vacuum interrupter drive beam
- 20 Disconnecter operation
- 21 Pressure gauge
- 22 Disconnecter
- 23 Operating mechanism for ring/earth switch
- 24 Ring switch test access cover release
- 25 Height adjustable legs - 3 positions



Lucy Switchgear

Howland Road, Thame, Oxfordshire, OX9 3UJ, UK
 tel: +44 (0)1844 267267 fax: +44 (0)1844 267223
 email: sales@lucyswitchgear.com

Lucy Middle East

PO Box 17335, Jebel Ali, Dubai, United Arab Emirates
 tel: +9714 812 9999 fax: +9714 812 9900
 email: sales@lucyme.ae

The Saudi Lucy Company Ltd

PO Box 834, Al-Khobar, 31952, Saudi Arabia
 tel: +966 3 8823057 fax: +966 3 8822553
 email: info@saudilucy.com

www.lucyswitchgear.com



All measurements are in mm

	Dim A (Ring Bushing Height)	Dim B	Dim C	Dim D	Dim E (T-Off Bushing Height)	Dim F (1) (450mm Tail Length Cable Box)	Dim F (2) (570mm Tail Length Cable Box)
Position 1	1052	2163	1773	817	1402	600	480
Position 2	970	2081	1691	735	1320	518	398
Position 3	750	1861	1471	515	1100	298	178